

# INDUSTRIAL BARCODE SCANNER IBC-200 SERIES



1D/2D CMOS Imager, Omnidirectional Reading, IP54 Dust & Water Protection, Auto-Barcode Sensing technology, 5ft Multiple drops to concrete, USB, RS232 interface



## DECODING CAPABILITY

1D / Linear Codes	Auto discriminates all standard 1D codes including: GS1 Databar™ linear codes
2D Codes	Aztec Code, Data Matrix, MaxiCode, Aztec Code, Data Matrix, MaxiCode, Micro QR Code, QR Code
Postal Codes	China Post, Postnet
Stacked Codes	EAN/JAN Composites, GS1 Databar Composites, GS1 DataBar Expanded Stacked, GS1 DataBar Stacked, GS1 Databar Stacked Omnidirectional, MacroPDF, MicroPDF417, PDF417, UPC A/E Composites

## ELECTRICAL

Current	Operating (Typical): 270mA @ 5V DC Standby/Idle (Typical): 50mA @ 5V DC
Input Voltage	3.3V ±10%

## ENVIRONMENTAL

Ambient Light	0-100,000 lux
Drop Specification	Multiple 5ft drops to concrete
Humidity	5% to 95% (non-condensing)
Dust & Water Protection	IP54
Operating Temperature	-20°C ~ 55°C (-4°F ~ 131°F)
Storage Temperature	-40°C ~ 80°C (-40°F ~ 176°F)

## INTERFACES SUPPORTED

Interfaces	USB Multi-Interface USB-HID, USB-VCP, KBW-HID, RS232
------------	--

## READING PERFORMANCE

Image Sensor	Wide VGA 752 x 480
Light Source	Red Aiming, LED 622nm±10nm
Print Contrast Ratio (Minimum)	25%
Read Angle	Pitch: ±55°; Tilt 360°, Skew ±55°
Reading Indicators	Beeper (adjustable tone and volume) Good Read LED
Resolution (Minimum)	High Density 1D Linear (Code 39) 5mil Data Matrix 8mil PDF417 7mil Standard 1D Linear (EAN-13) 5mil

## FEATURES

- Omnidirectional Reading
- Reads 1D, 2D and postal codes, stacked and composite codes
- Auto-barcode sensing technology
- Multi-interface support: USB-HID, USB-VCP, RS232
- Water and Dust Sealed Rating: IP54
- 5ft multiple drops to concrete
- Wide range operating temperature supported



## MECHANICAL SPECIFICATIONS

Color	Gray & Black
Construction	IP54 rated, impact-resistant double injected, ABS+PC
Dimensions (L x W x H)	170mm x 71mm x 98mm (6.69" x 2.79" x 3.85")
Weight	152g / 5.36oz

## REGULATORY SPECIFICATIONS

EMI/EMC	CE, FCC standards applied
Environmental Compliance	RoHS
LED Classification	Class 1 according to IEC60825-1:2007

## DECODE RANGES

Barcode Type	Symbology Density	Near	Far
Code 39	5mil	85mm	115mm
EAN-13	13mil	55mm	320mm
Data Matrix	10mil	35mm	140mm
Data Matrix	15mil	5mm	230mm
QR Code	10mil	35mm	140mm
QR Code	15mil	35mm	220mm
PDF417	10mil	25mm	220mm

## ORDERING INFORMATION

Base	IBC-200 1D/2D Industrial Barcode Scanner, IP54 Rated, CMOS Imager, Auto Sensor, Buzzer/LED Indicator, Supports USB-HID, KBW-HID and RS232, 3 Year Warranty, USB Straight 6ft Cable, Black
<a href="#">IBC-200S-A</a>	IBC-200 1D/2D Industrial Barcode Scanner, IP54 Rated, CMOS Imager, Auto Sensor, Buzzer/LED Indicator, Supports USB-HID, KBW-HID and RS232, 3 Year Warranty, RS232 Straight 6ft Cable, Black
<a href="#">IBC-200S-B</a>	IBC-200 1D/2D Industrial Barcode Scanner, IP54 Rated, CMOS Imager, Auto Sensor, Buzzer/LED Indicator, Supports USB-HID, KBW-HID and RS232, 3 Year Warranty, RS232 Straight 6ft Cable, Black

# INDUSTRIAL BARCODE SCANNER IBC-200 SERIES



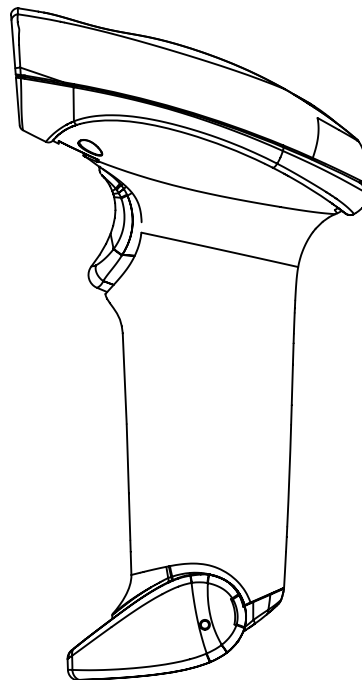
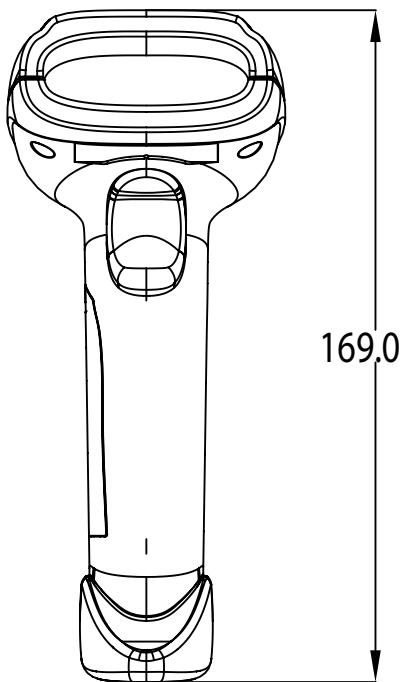
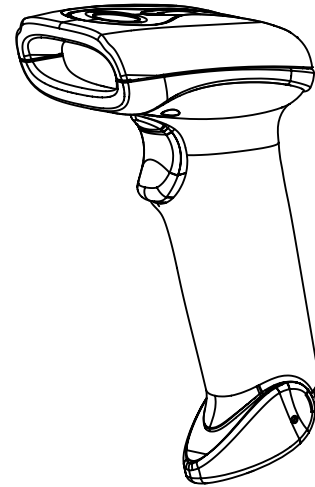
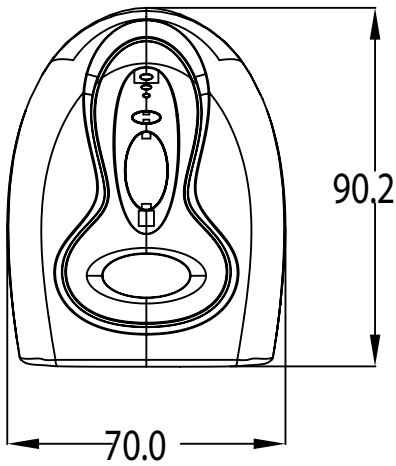
## WARRANTY

Standard Warranty	3 Year Warranty
Extended Warranty	TotalCare Protection 3 or 5 Year Extended
Expected Life Cycle	7 Years

## OPTIONAL

2760680401	USB Straight 6ft Cable, Black
2760690401	RS232 Straight 6ft Cable, Black
9705018020	Gooseneck Stand

## DIMENSIONS



Measurements shown in mm. All dimensions are  $\pm 0.5$ mm