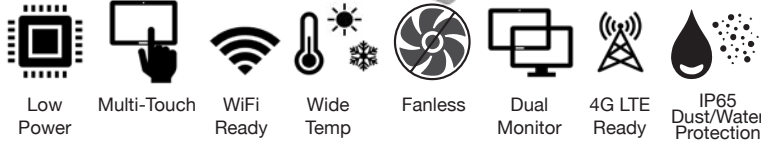


VEHICLE MOUNT COMPUTER VMC-300 SERIES



Fanless Touch Panel Computer with Intel® Apollo Lake™ E3940 1.80GHz Processor, HDMI, DisplayPort, 2 GbE LAN, 4 USB, 2 COM, WiFi, 4G LTE Ready



SYSTEM SPECIFICATIONS

Front Bezel	IP65, Aluminum enclosure
LCD Panel Sizes	10.4" / 12.1" / 15"
Brightness per panel	470 nits / 500 nits / 350 nits
Resolution per panel	1024 x 768 / 1024 x 768 / 1024 x 768 1280 x 1024 / 1920 x 1080
Touch Screen	Resistive or Projective Capacitive
Processor	Intel® E3940 1.80GHz
Processor Generation	Apollo Lake™
Processor Cores	4
Memory	Up to 8GB DDR3L SO-DIMM
Storage	1 • 2.5" SATA SSD drive bay 1 • mSATA
Chipset	SoC integrated
Graphics	Intel® HD Graphics 500
LAN Controller	2 • Intel® I210-IT GbE LAN ports
System I/O	Bottom 1 • Power Button 1 • RS232 ports 1 • RS232/422/485 ports 4 • USB 3.0 ports 2 • Gb LAN Ports 1 • HDMI port 1 • DisplayPort 1 • Locking Power connector Top 2 • WiFi RP-SMA connectors 2 • 4G SMA connectors
BIOS	AMI UEFI
Watchdog Timer	256 levels, 1~255 sec.
Expansion Interface	1 • PCIe Mini Card (half height) 1 • PCIe Mini Card (full height)
System Indicator	1 • blue LED for system power-on (shared) 1 • blue LED for SSD active (shared)

MECHANICAL SPECIFICATIONS

Color	Silver
Construction	Aluminum CNC chassis
Dimensions (W x H x D)	195mm x 37mm x 142mm (7.67" x 1.45" x 5.59")
VMC-300S-104	306mm x 250mm x 55mm (12.04" x 9.84" x 2.16")
VMC-300S-121	326mm x 250mm x 55mm (12.83" x 9.84" x 2.16")
VMC-300S-150	358.5mm x 281.5mm x 57mm (14.11" x 11.08" x 2.24")
Mounting	VESA mount / RAM AMPS mount

POWER SUPPLY

Power Input	8 ~ 36VDC with protection fuse 36 ~ 72VDC with protection fuse
Power Adapter	110 ~ 240 AC to 12VDC out 60W

FEATURES

- IP65-rated front bezel with resistive or PCAP touch screen
- LCD Panel Sizes: 10.4", 12.1", 15"
- Intel® Apollo Lake™ E3940 1.80Ghz Quad Core Processor
- High performance 204-pin DDR3L 1866 SO-DIMM
- max. up to 8GB
- WiFi and 4G LTE Ready
- Highly reliable thermal transfer fanless technology
- 2- RS232/422/485, 4- USB ports, 1- HDMI port, 1- DisplayPort
- One 2.5" SATA drive bay and mSATA supported
- 2- PCI Express Mini Card slots
- Isolated wide voltage input (8V ~ 72VDC)
- Wide range operating temperature supported

REGULATORY SPECIFICATIONS

Operating Temperature	-17°C ~ 60°C (0°F ~ 140°F)
EMI/EMC	CE standards applied (EN 55022 / EN 55024 / EN 55032 / EN 60950-1) FCC - Assembled using FCC certified components RoHS
Vibration	5~500Hz 1G PTP
Shock	operating: 30G (11ms), non-operating: 40G (11ms)

ORDERING INFORMATION

Base	VMC-300 Vehicle Mount Computer, 10.4" 1024 x 768, XGA 470NIT LCD, Intel® Apollo Lake™, Quad Core 1.8GHz E3940 Processor, 4- USB 3.0 Ports, 2- Intel I210-IT GbE LAN Ports, 1- RS232 Ports, 1- RS232/422/485 Port, VESA or AMPS Hole Mounting Pattern (Does not include AC Wall Adapter)
VMC-300S-104-	VMC-300 Vehicle Mount Computer, 12.1" 1024 x 768, XGA 500NIT LCD, Intel® Apollo Lake™, Quad Core 1.8GHz E3940 Processor, 4- USB 3.0 Ports, 2- Intel I210-IT GbE LAN Ports, 1- RS232 Ports, 1- RS232/422/485 Port, VESA or AMPS Hole Mounting Pattern (Does not include AC Wall Adapter)
VMC-300S-121-	VMC-300 Vehicle Mount Computer, 15" 1024 x 768, XGA 350NIT LCD, Intel® Apollo Lake™, Quad Core 1.8GHz E3940 Processor, 4- USB 3.0 Ports, 2- Intel I210-IT GbE LAN Ports, 1- RS232 Ports, 1- RS232/422/485 Port, VESA or AMPS Hole Mounting Pattern (Does not include AC Wall Adapter)
VMC-300S-150-	VMC-300 Vehicle Mount Computer, 15" 1024 x 768, XGA 350NIT LCD, Intel® Apollo Lake™, Quad Core 1.8GHz E3940 Processor, 4- USB 3.0 Ports, 2- Intel I210-IT GbE LAN Ports, 1- RS232 Ports, 1- RS232/422/485 Port, VESA or AMPS Hole Mounting Pattern (Does not include AC Wall Adapter)

OPTIONAL

2.5" SATA SSD	250GB, 500GB, 1TB
DDR3L SO-DIMM	4GB or 8GB
4G LTE module	Sierra Wireless LTE - Verizon® or AT&T® 4G M.2 Module
WiFi module	Intel® 8265 802.11ac/a/b/g/n Wi-Fi / Bluetooth M.2 Module
DC Vehicle Power	Isolated Power Supply 8~36V Isolated Power Supply 36V~72V
12' Power Cable	2730270501
AC wall adapter	3721030241
Operating System	Windows® 10 IoT Enterprise 2016 LTSC Entry (Atom), Windows® 10 IoT Enterprise 2019 LTSC Entry (Atom), Windows® 10 Professional 64bit, Ubuntu® Desktop 16.04 LTS 64bit

WARRANTY

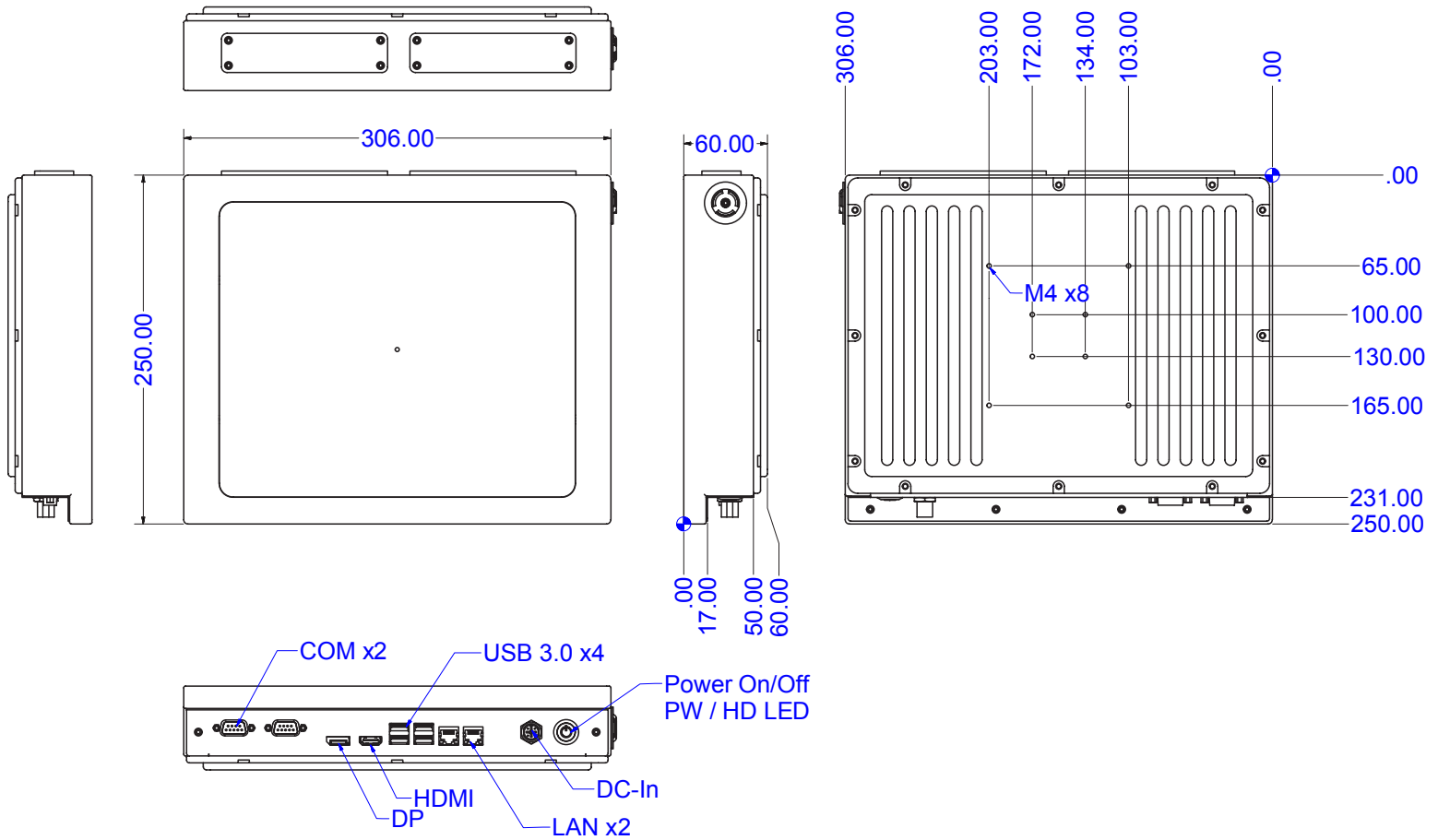
Standard Warranty	2 Year Warranty
Extended Warranty	TotalCare Protection 3 or 5 Year Extended
Expected Life Cycle	7 Years

VEHICLE MOUNT COMPUTER VMC-300 SERIES



DIMENSIONS

VMC-300S-104



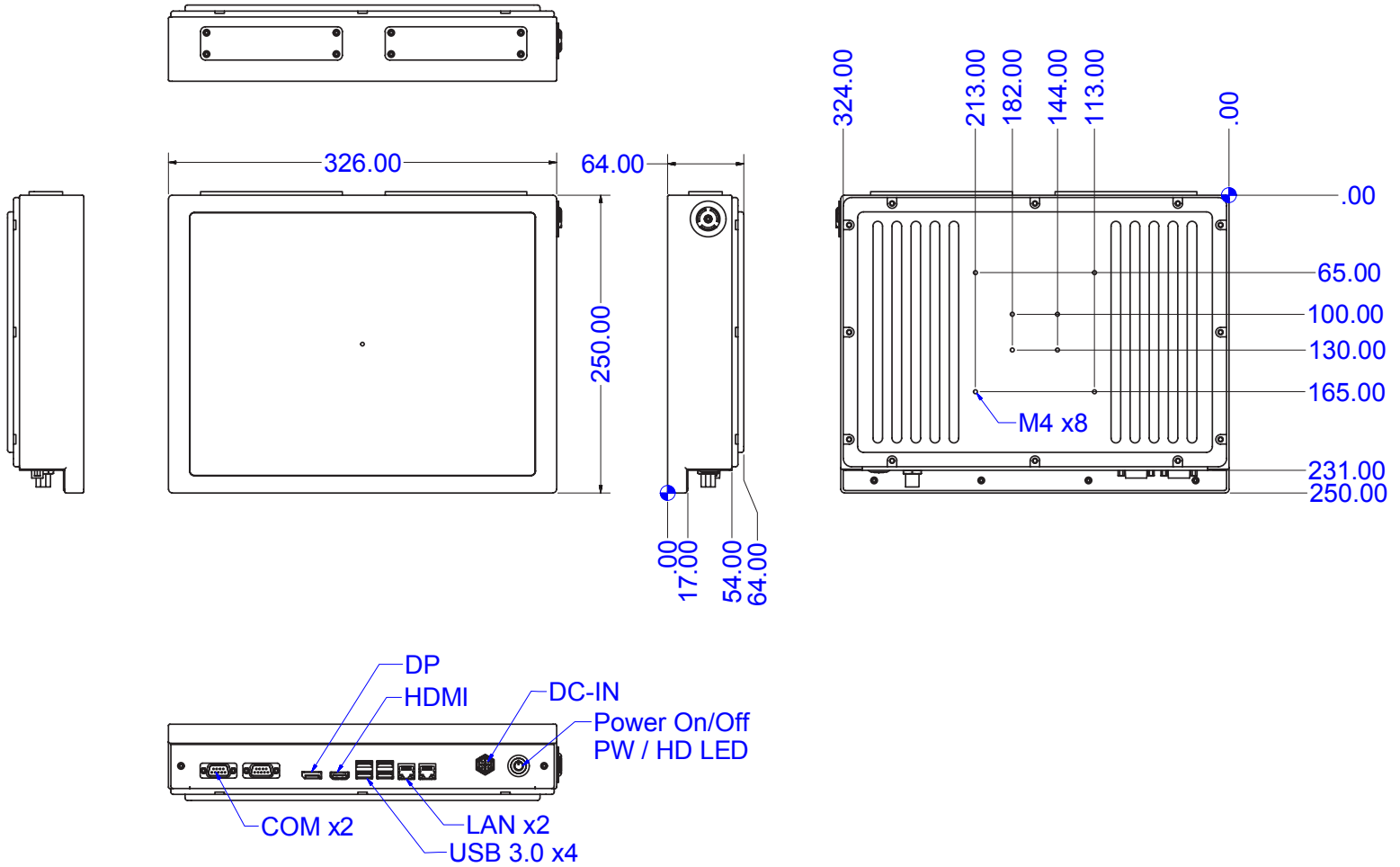
Measurements shown in mm. All dimensions are $\pm 0.5\text{mm}$

VEHICLE MOUNT COMPUTER VMC-300 SERIES



DIMENSIONS

VMC-300S-121



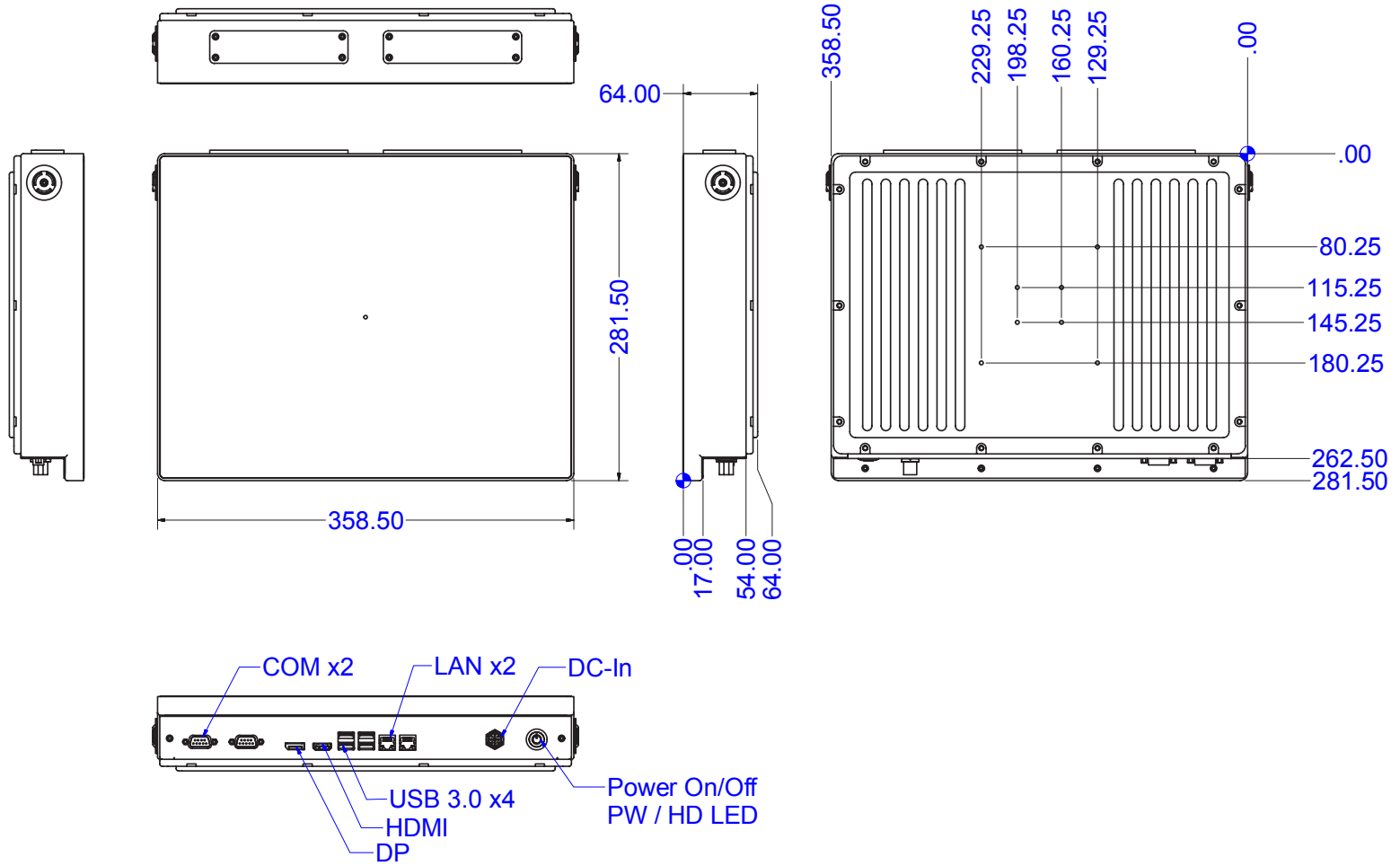
Measurements shown in mm. All dimensions are ± 0.5 mm

VEHICLE MOUNT COMPUTER VMC-300 SERIES



DIMENSIONS

VMC-300S-150



Measurements shown in mm. All dimensions are ± 0.5 mm