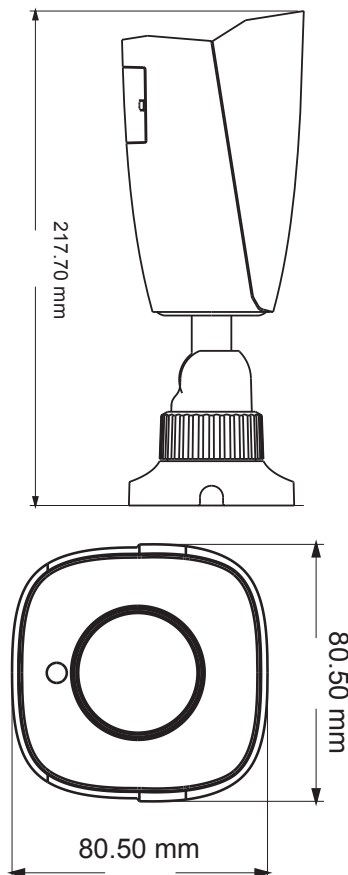




# IP CAMERA

## IPC-4T58SM



- H.265 / H.264
- 4MP ( 2560 × 1440)
- 30 ~ 50 M IR night view distance
- 3 DNR, WDR
- ICR auto switch, true day / night
- P2P function optional
- Support ROI coding
- Support three streams
- IP67 ingress protection
- Intelligent analytics: Exception, Line Crossing, Intrusion (optional)

**RoHS** CE FC

# 4MP IP IR WATER-PROOF BULLET CAMERA



## IPC-4T58SM

Camera	
Image Sensor	1 / 2.7 " CMOS
Image Size	2560 × 1440
Electronic Shutter	1 / 25 s ~ 1 / 100000 s
Min. Illumination	0.04 lux @F2.26, AGC ON; 0 lux with IR
Lens	2.8~12mm @F1.4 Motorized Lens
Horizontal view Angle	94° ~35.7°
IR Distance	30~50 m
WDR	Digital WDR
Day & Night	ICR auto switch
BLC	YES
HLC	YES
Defog	YES
Digital DNR	3 DNR
Image	
Video Compression	H.265 / H.264
H.264 Compression Standard	Main Profile
Resolution	4MP (2560 × 1440) , 3MP (2304 × 1296) , 1080P (1920 × 1080) , 720P (1280 × 720) , D1 , CIF , 480 × 240
Main Stream (S1)	4MP/ 3MP/ 1080P @30fps
Sub Stream (S2)	720P / D1 / CIF @30fps
Third Stream (S3)	D1 / CIF / 480×240 @30fps
Bit Rate	64 Kbps ~ 5 Mbps
Bit Rate Type	VBR / CBR
Image Settings	ROI, Saturation, Brightness, Chroma, Contrast,Wide Dynamic, Sharpen,NR,etc. adjustable through client software or web browser
ROI	Each ROI to be configured separately
Audio	
Audio Compression	-
Two-way audio	-
Interfaces	
Network	RJ45
Video Output	-
Audio line in	-
Audio line out	-
Alarm Input	-
Alarm Output	-
Storage	
SD card	-
Network remote storage	Yes

Functions	
Remote Monitoring	Web browsing,CMS remote control
Online Connection	Support simultaneous monitoring for up to 4 users Support multi-stream real time transmission
Network Protocol	UDP, IPv4, IPv6, DHCP, NTP, RTSP, PPPoE, DDNS, SMTP, FTP, 802.1x, UPnP, HTTP, HTTPS, QoS
Interface Protocol	ONVIF, GB-T/28181-2011
Smart Alarm	Motion detection
Intelligent Analytics	Exception,Line Crossing,Intrusion(optional)
General function	Watermark, video mask, heartbeat, password protection
PoE	Yes
Others	
Power Supply	DC12V / PoE
Power Consumption	< 9W
Operating Environment	- 30 ° C ~ 60 ° C (-22° F~140° F) Humidity: less than 95 % (non-condensing)
Dimensions	80.5 × 80.5 × 217.7 mm
Weight	Approx. 650g
Installation	Ceiling mounting (wall mounting available with the junction box and bracket)
Ingress Protection	IP67

Accessories		
B627	B640	B639
B615	B616	B628