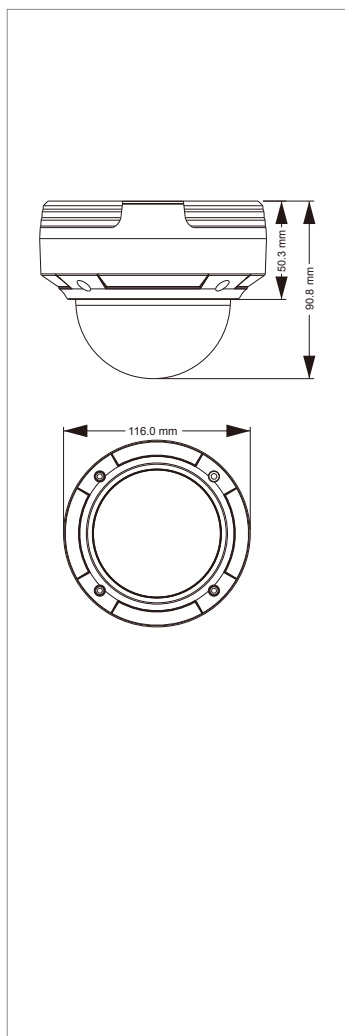


IP Solution Face Recognition

5MP H.265 IP Camera IPC-5D41SE



Dimension Unit : mm



- Software**
- 5MP (2592x1944)
 - 2D/3D DNR
 - Support smart phone, iPad, remote monitoring
 - ROI
 - Audio:MIC INx1
 - Video analysis:Object Removal / Exception / Line Crossing / Intrusion / Face Detection

- Caution**
- Please taking care of the installation environment(location and lighting condition) to have best performance.
 - Facial recognition function must work with certain model NVR.

- Hardware Specification**
- 1/2.5" CMOS
 - Built-in IR Cut Removable.
 - Aluminum Alloy Housing for Better Heat Dissipation.
 - Built-in PoE.
 - Class IP66 Weatherproof.
 - 20M IR distance.

Specifications

Model	IPC-5D41SE
Compression Method	H.265 / H.264 / M-JPEG
Image Sensor	1/2.5" CMOS
Image Size	2592 x 1944
Resolution	5MP(2592x1944) / 4MP(2592x1520) / 3MP(2304x1296) / 1080P (1920x1080) / 720P (1280x720) / D1 / CIF
Triple streaming	S1: 5MP@30fps / 4MP@30fps / 1920x1080@30fps S2: D1@30fps / CIF@30fps S3: D1@30fps / CIF@30fps
Bit Rate	128 Kbps ~ 10 Mbps
Stream Transmission	VBR / CBR
Lens	Board lens 3.6 mm
Electronic Shutter	1/25 ~ 1/100,000 sec.
Min. Illumination	0.036 lux@F2.0
Storage	Network remote storage
Alarm	Motion alarm
Audio	Mic INx1
CVBS Output	Yes
PoE	Yes
LAN Port	Ethernet (10/100Base-T), RJ45 connector
IR Distance	20 M
Protocol	TCP / IP, UDP, DHCP, NTP, RTSP, PPPoE, DDNS, SMTP, FTP
Web Browser	Microsoft Internet Explorer 8.0 or above
Power Supply	DC12V / PoE
Total Power Consumption	<3.5W
Operating Environment	-10°C~50°C, 10%~90% humidity
Dimensions (mm)	Φ116 × 91 mm
Weatherproof	IP66