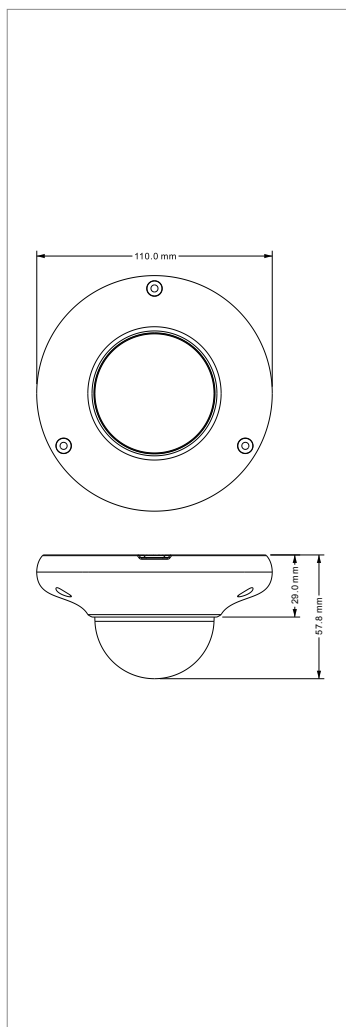


# IP Solution Face Recognition

## 5MP H.265 IP Camera IPC-5D58SE



### Dimension Unit : mm



- Software**
- 5MP (2592x1944)
  - 2D/3D DNR
  - Support smart phone, iPad, remote monitoring
  - ROI
  - Audio:MIC INx1
  - Video analysis:Object Removal / Exception / Line Crossing / Intrusion / Face Detection

- Caution**
- Please taking care of the installation environment(location and lighting condition) to have best performance.
  - Facial recognition function must work with certain model NVR.

- Hardware Specification**
- 1/2.5" CMOS
  - Built-in IR Cut Removable.
  - Aluminum Alloy Housing for Better Heat Dissipation.
  - Built-in PoE.
  - Class IP66 Weatherproof.
  - 20M IR distance.

### Specifications

|                         |   |
|-------------------------|---|
| Model                   | IPC-5D58SE  |
| Compression Method      | H.265 / H.264 / M-JPEG  |
| Image Sensor            | 1/2.5" CMOS   |
| Image Size              | 2592 x 1944   |
| Resolution              | 5MP(2592x1944) / 4MP(2592x1520) / 3MP(2304x1296) / 1080P (1920x1080) / 720P (1280x720) / D1 / CIF   |
| Triple streaming        | S1: 5MP@30fps / 4MP@30fps / 1920x1080@30fps<br>S2: D1@30fps / CIF@30fps<br>S3: D1@30fps / CIF@30fps |
| Bit Rate                | 128 Kbps ~ 10 Mbps  |
| Stream Transmission     | VBR / CBR   |
| Lens                    | Board Lens 3.6mm (Optional 2.8 mm)  |
| Electronic Shutter      | 1/25 ~ 1/100,000 sec.   |
| Min. Illumination       | 0.036 lux@F2.0  |
| Storage                 | Network remote storage  |
| Alarm                   | Motion alarm  |
| Audio                   | Mic INx1  |
| CVBS Output             | Yes   |
| PoE                     | Yes   |
| LAN Port                | Ethernet (10/100Base-T), RJ45 connector   |
| IR Distance             | 20 M  |
| Protocol                | TCP / IP, UDP, DHCP, NTP, RTSP, PPPoE, DDNS, SMTP, FTP  |
| Web Browser             | Microsoft Internet Explorer 8.0 or above  |
| Power Supply            | DC12V / PoE   |
| Total Power Consumption | <3.5W   |
| Operating Environment   | -10°C~50°C, 10%~90% humidity  |
| Dimensions ( mm )       | 57.8 x ø110 mm  |
| Weatherproof            | IP66  |