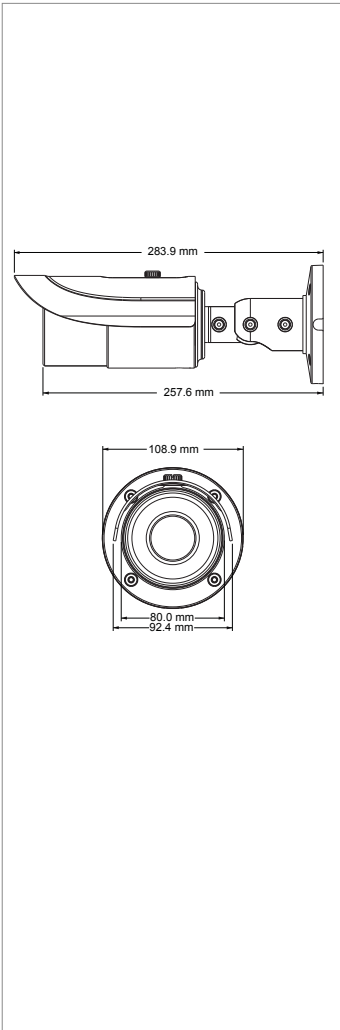


IP Solution Face Recognition

5MP H.265 IP Camera IPC-5T36SE



Dimension Unit : mm



Software

- 5MP (2592x1944)
- 2D/3D DNR
- Support smart phone, iPad, remote monitoring
- ROI
- Audio:MIC inputx1, outputx1
- Video analysis:Object Removal / Exception / Line Crossing / Intrusion / Face Detection

Hardware Specification

- 1/2.5" CMOS
- Built-in IR Cut Removable.
- Aluminum Alloy Housing for Better Heat Dissipation.
- Built-in PoE.
- Class IP66 Weatherproof.
- 60M IR distance.

Caution

- Please taking care of the installation environment(location and lighting condition) to have best performance.
- Facial recognition function must work with certain model NVR.

Specifications

Model	IPC-5T36SE
Compression Method	H.265 / H.264 / M-JPEG
Image Sensor	1/2.5" CMOS
Image Size	2592 x 1944
Resolution	5MP(2592x1944) / 4MP(2592x1520) / 3MP(2304x1296) / 1080P (1920x1080) / 720P (1280x720) / D1 / CIF
Triple streaming	S1: 5MP@30fps / 4MP@30fps / 1920x1080@30fps S2: D1@30fps / CIF@30fps S3: D1@30fps / CIF@30fps
Bit Rate	128 Kbps ~ 10 Mbps
Stream Transmission	VBR / CBR
Lens	Motorized zoom 3.3~12mm
Electronic Shutter	1/25 ~ 1/100,000 sec.
Min. Illumination	0.036 lux@F2.0
Storage	Network remote storage / Support TF card, the max capacity is 128 GB (class10 or above)
Alarm Input/Output	1/1
Audio Input/Output	1/1
CVBS Output	Yes
PoE	Yes
LAN Port	Ethernet (10/100Base-T), RJ45 connector
IR Distance	60 M
Protocol	TCP / IP, UDP, DHCP, NTP, RTSP, PPPoE, DDNS, SMTP, FTP
Web Browser	Microsoft Internet Explorer 8.0 or above
Power Supply	DC12V / PoE
Total Power Consumption	<9W
Operating Environment	-10°C~50°C, 10%~90% humidity
Dimensions (mm)	283.9 x ø108.9 mm
Weatherproof	IP66