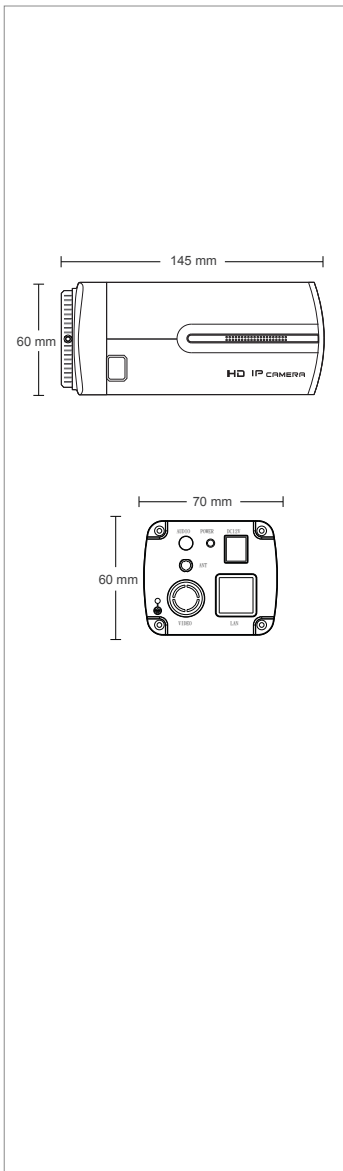


5MP IP Camera (Facial Recognition) IPC-5X09SE



※Without lens

Dimension Unit : mm



Software

- 5MP (2592 x 1944)
- Dual way audio
- Support smart phone, iPad, remote monitoring
- Support P2P
- ROI

Hardware Specification

- 1/3" CMOS.
- Built-in IR Cut Removable.
- Built-in PoE.

Specifications

Model	IPC-5X09SE
Compression method	H.265 / H.264 / MJPEG
Image Sensor	1/3" CMOS
Image Pixels	2592 x 1944
Resolution	5MP(2592x1944) / 4MP(2592x1520) / 1080P(1920x1080) / 720P(1280x720) / D1 / CIF / 480x240
Frame Rate	1~30fps
Bit Rate	64Kbps ~ 10Mbps
Stream transmission	CBR / VBR
LAN Port	Ethernet (10/100Base-T), RJ45 connector
Protocol	TCP/IP , UDP , DHCP , NTP , RTSP , PPPoE , DDNS , SMTP , FTP
Web Browser	Microsoft Internet Explorer 8.0 or above
Storage	SD card local storage, remote storage
Alarm	Motion, Sensor
Electronic Shutter	1/25 ~ 1/100,000 sec.
Min. Illumination	color: 0.05lux@F1.2, AGC ON
ICR	Yes
Lens	CS/C mount
RS485	Support
Audio	Dual way audio (MIC INx1, MIC OUTx1)
Power Source	DC12V / PoE
Operating Temperature	-10°C~50°C, 10% ~90% humidity
Dimension	70(W) x 145(D) x 60(H)mm